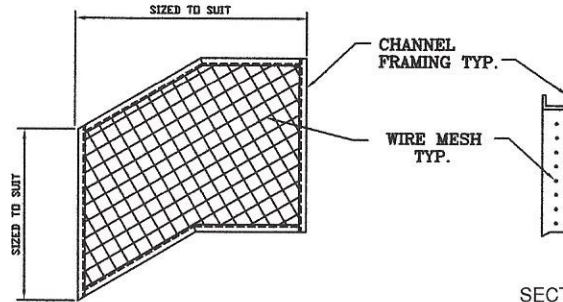
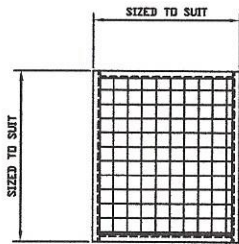


MITERED INSERT

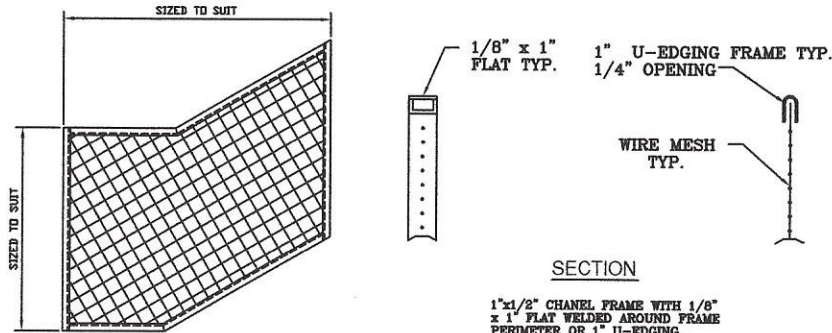


DOUBLE MITERED INSERT

SECTION
 1"x1/2" CHANEL FRAME OPEN AT
 END SO THAT WIRES ARE EXPOSED.
 USUALLY USED WHEN INSERT PANEL IS
 TIGHT TO STAIRWAY RAIL



RECTANGULAR INSERT



DOUBLE MITERED INSERT

SECTION
 1"x1/2" CHANEL FRAME WITH 1/8"
 x 1" FLAT WELDED AROUND FRAME
 PERIMETER OR 1" U-EDGING.
 USED WHEN PANEL IS HELD AWAY
 FROM STAIRWAY RAIL

SQUARE MESH STAIRWAY INSERT PANELS
MESH RUNNING PARALLEL TO STAIR STRINGER AS SHOWN
MESH CAN ALSO RUN PARALLEL TO STAIR TREAD

ACME		Acme Wire & Iron Works 2027 E. Canyon Bismarck, N.D. 58507 ESTABLISHED 1952 2310 562-755 Fax 43130 923-7507
CUSTOMER	NAME	
LOCATION	LOCATION	
TITLE STANDARD STAIRWAY INSERT PANELS		
JOB NO. XXX	DRWG. NO.	D-XX